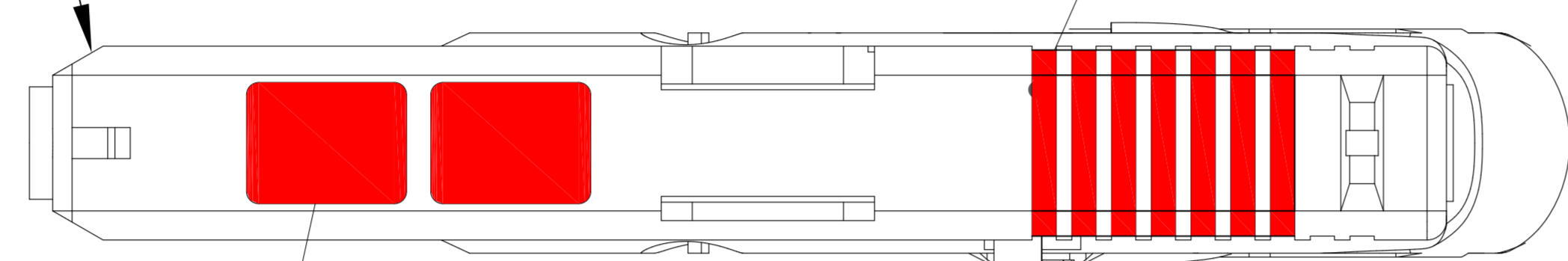


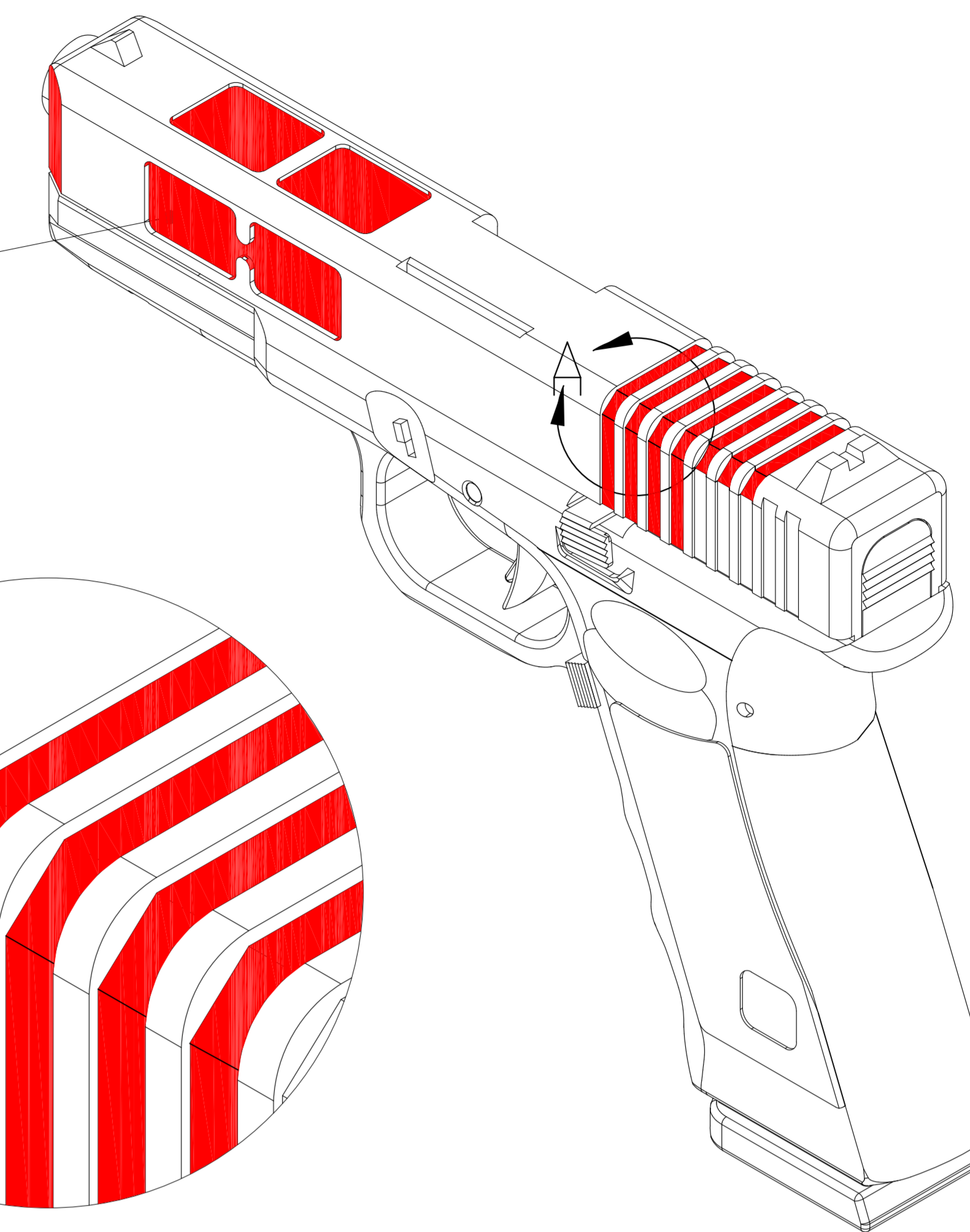
BEVEL THE FRONT OF THE SLIDE  
(FOR EASE OF LOADING)  
(MOD #M008)

7X  
ADDED TOP SLOTS  
TO AID IN  
COCKING & DISASSEMBLY  
(MOD #M007)

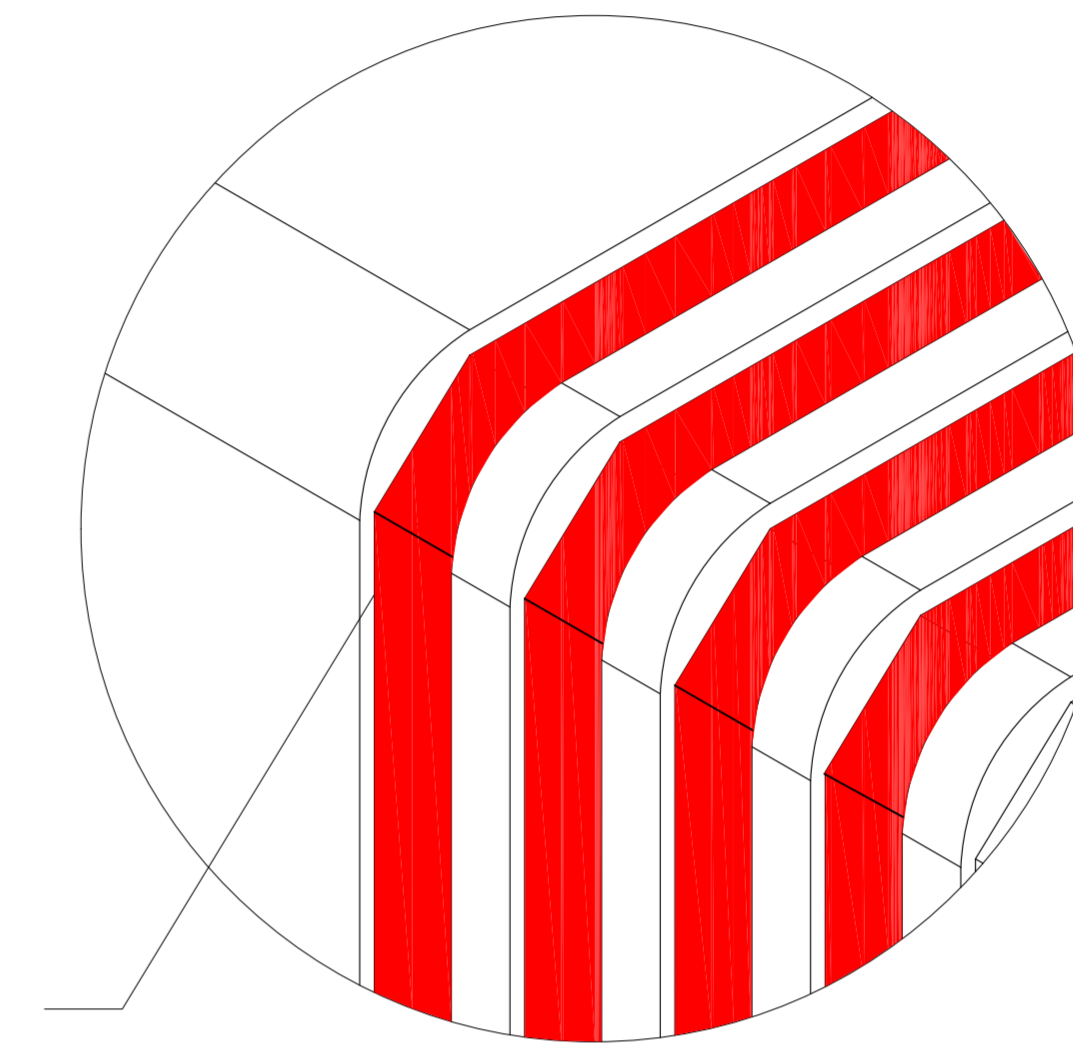
2X  
GLARE REDUCTION POCKETS  
(MOD #M006)



2X  
MACHINED  
PRESS CHECK POCKETS  
FOR SILICONE CARBIDE INSERTS  
1(NEAR)  
1(FAR)  
(MOD #M005)(A-G)



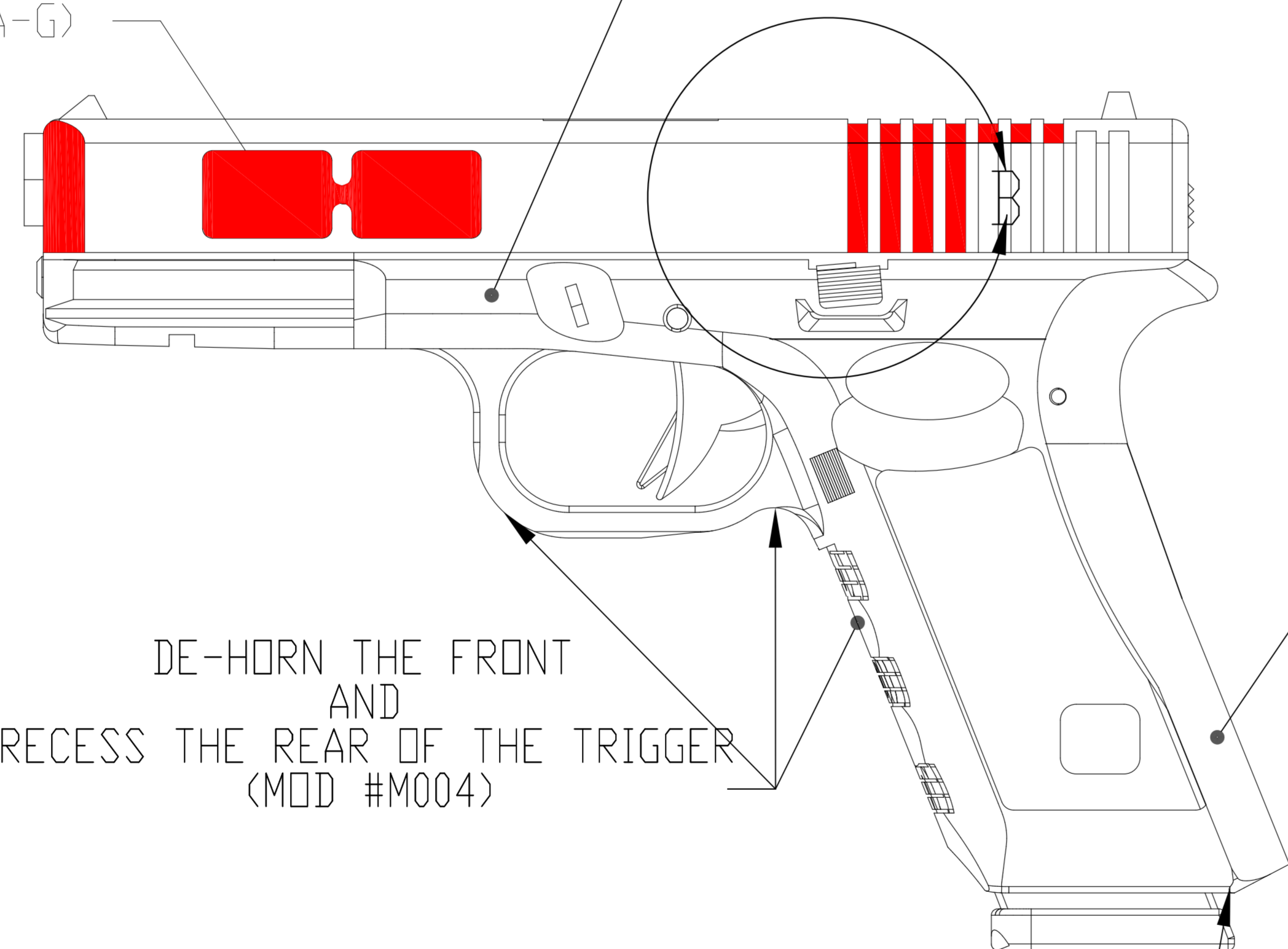
14X  
7X (NEAR SIDE)  
7X (FAR SIDE)  
ADDED CHAMFER  
TO AID IN  
COCKING & DISASSEMBLY  
(MOD # M007)



DETAIL A  
SCALE 2 : 1

2X  
MACHINED  
PRESS CHECK POCKETS  
FOR SILICONE CARBIDE INSERTS  
1(NEAR)  
1(FAR)  
(MOD #M005)(A-G)

2X  
STIPPLE ENTIRE SURFACE  
(MOD # M001)

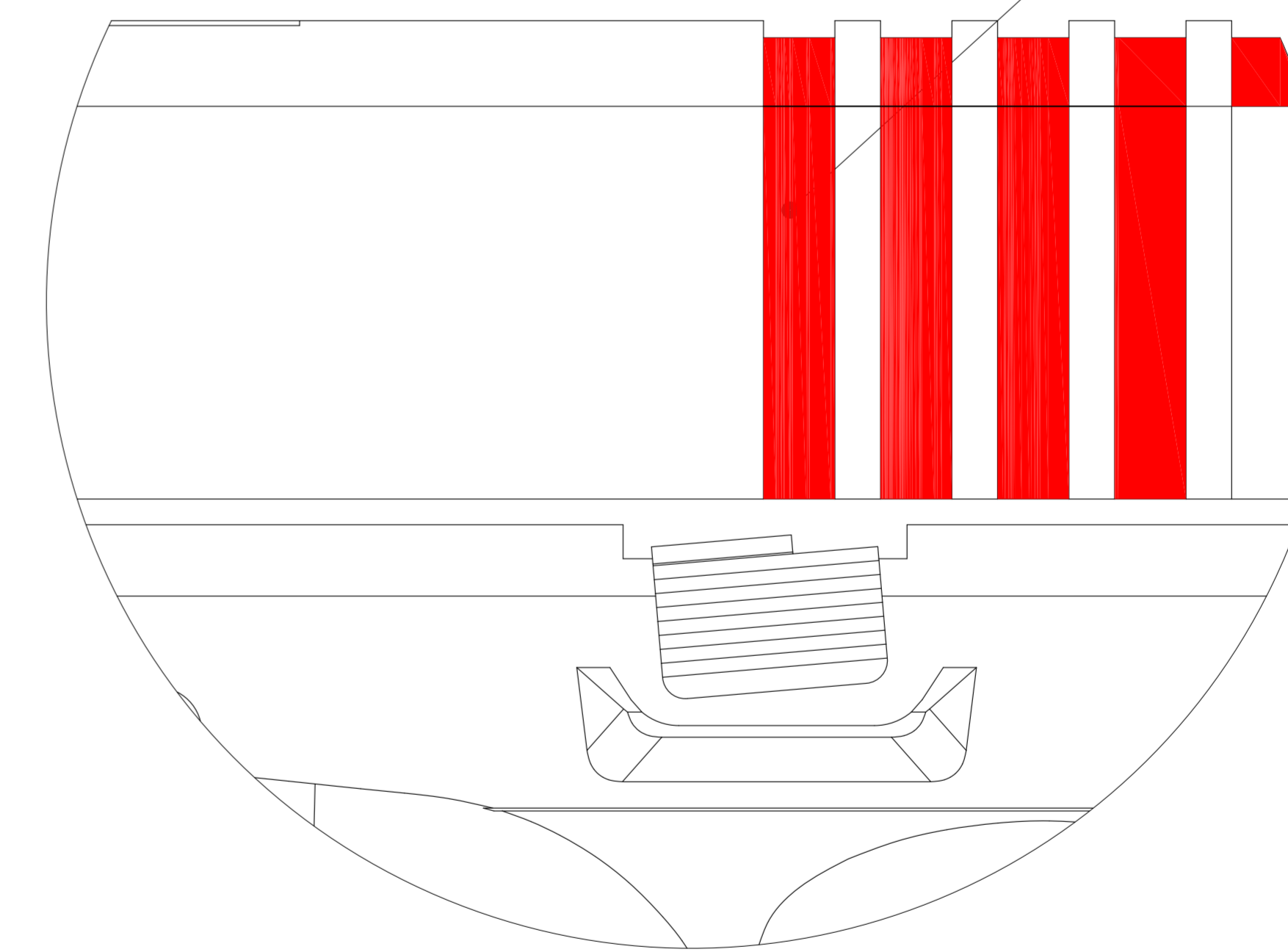


DE-HORN THE FRONT  
AND  
RECESS THE REAR OF THE TRIGGER  
(MOD #M004)

GRIP REDUCTION  
AND  
STIPPLE ENTIRE GRIP 360°  
(MOD # M001)

EPOXY FILL  
&  
BEVEL MAG WELL  
(FOR EASE OF SPEED LOADING MAGAZINES)  
(MOD # M003)

4X  
ADDED SLOTS  
TO AID IN  
COCKING  
2 (NEAR)  
2 (FAR)  
(MOD #M007)



DETAIL B  
SCALE 1.5 : 1

TMT-  
GUN MODIFICATION  
QTY:  
~

\*\*\*ALL RED AREAS ARE MODIFICATION ADDED AREAS\*\*\*

UNCONTROLLED UNLESS IDENTIFIED IN RED INK  
DO NOT SCALE DRAWING

UNLESS OTHERWISE SPECIFIED:  
BREAK ALL DIMENSIONAL EDGES  
DIMENSIONS ARE IN INCHES

TOLERANCES:

LINEAR	ANGULAR	± 0.5°
.X ± 0.030		
.XX ± 0.010		
.XXX ± 0.005		
.XXXX ± 0.0005		

PROJECTION

Geometric Symbols

⊙	CONCENTRICITY
⊘	CYLINDRICITY
∥	PARALLELISM
⊥	PERPENDICULARITY
⊜	ANGULARITY
⊞	SYMMETRY
⊚	PERPENDICULARITY
⊛	FLATNESS
⊞	TRUE POSITION
⊚	STRAIGHTNESS
⊚	ROUNDNESS

TMT  
TACTICAL

DESIGNED	DATE
DRAWN	DATE
CHECKED	DATE

212 East Fleming Drive  
Morganton, NC 28680-2876  
828-432-8007 Fax: 828-432-8030

STEP ORDER	TITLE NUMBER	REV
SHEET 1 OF 3	PART NUMBER	TMT-

"Committed To The Preservation  
of The 2nd Amendment Right"

DATE PRINTED: 1/14/2013

DATE RELEASED: