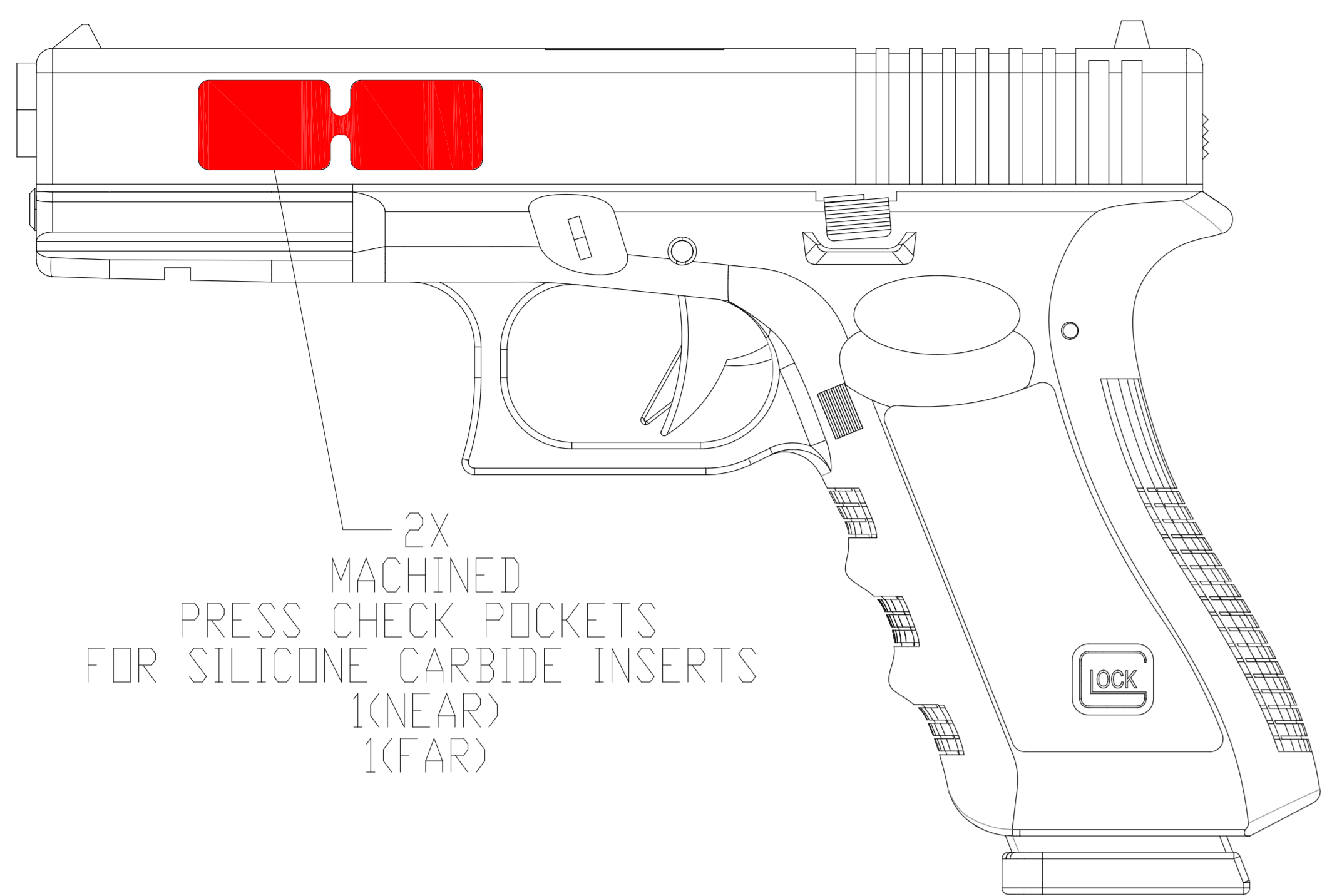
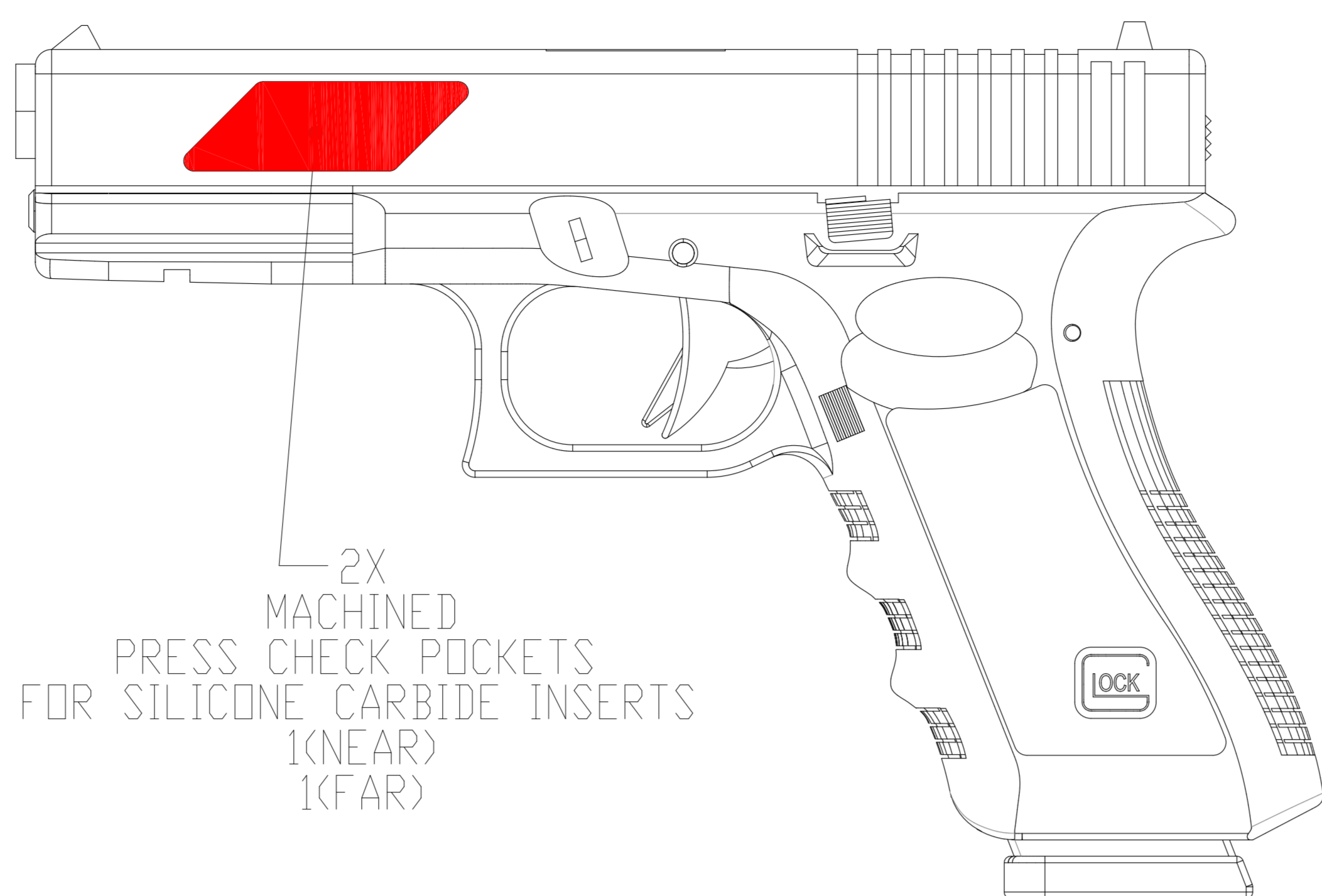


PRESS CHECK MODIFICATION #M005-A



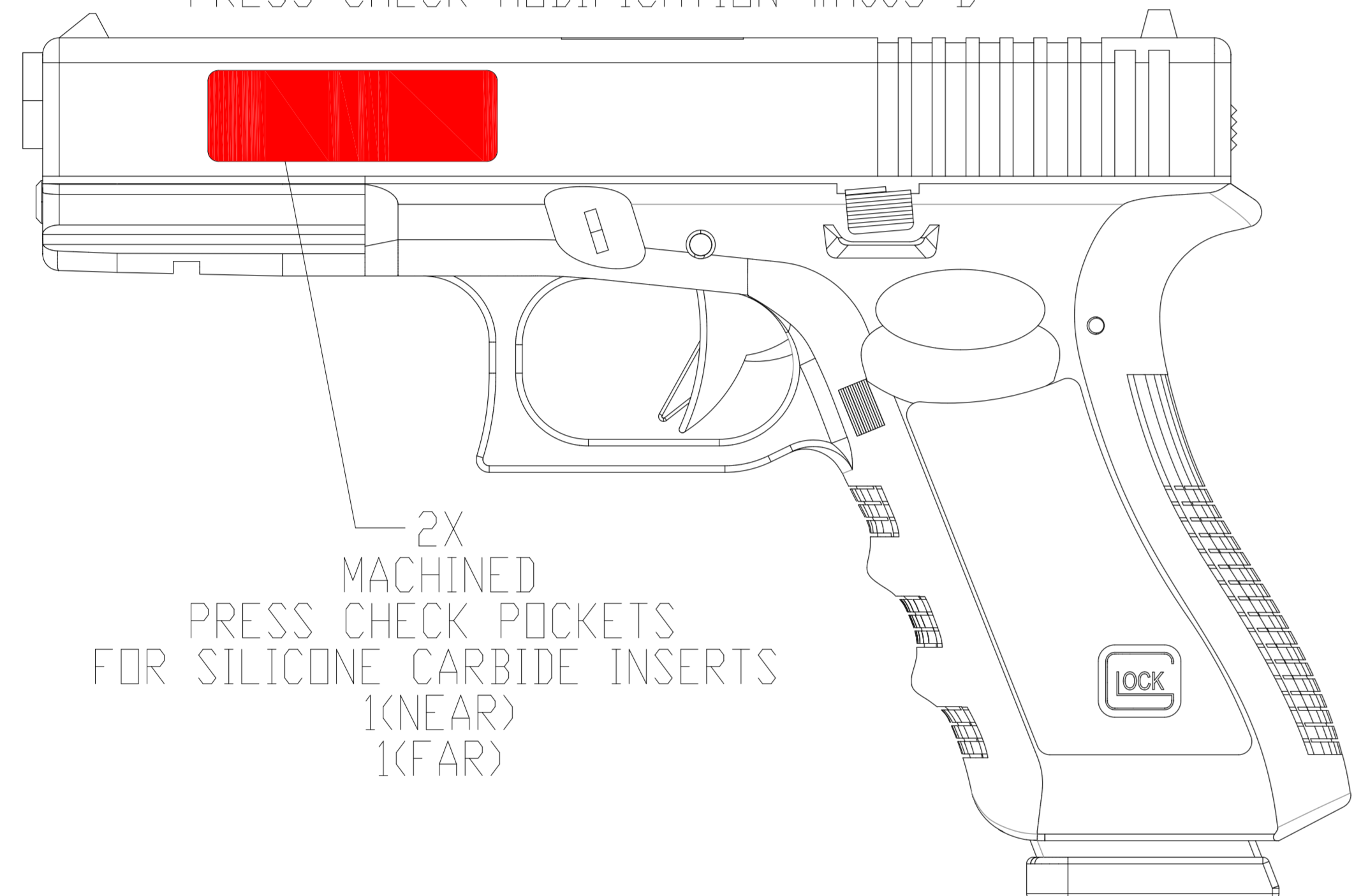
2X
MACHINED
PRESS CHECK POCKETS
FOR SILICONE CARBIDE INSERTS
1(NEAR)
1(FAR)

PRESS CHECK MODIFICATION #M005-D



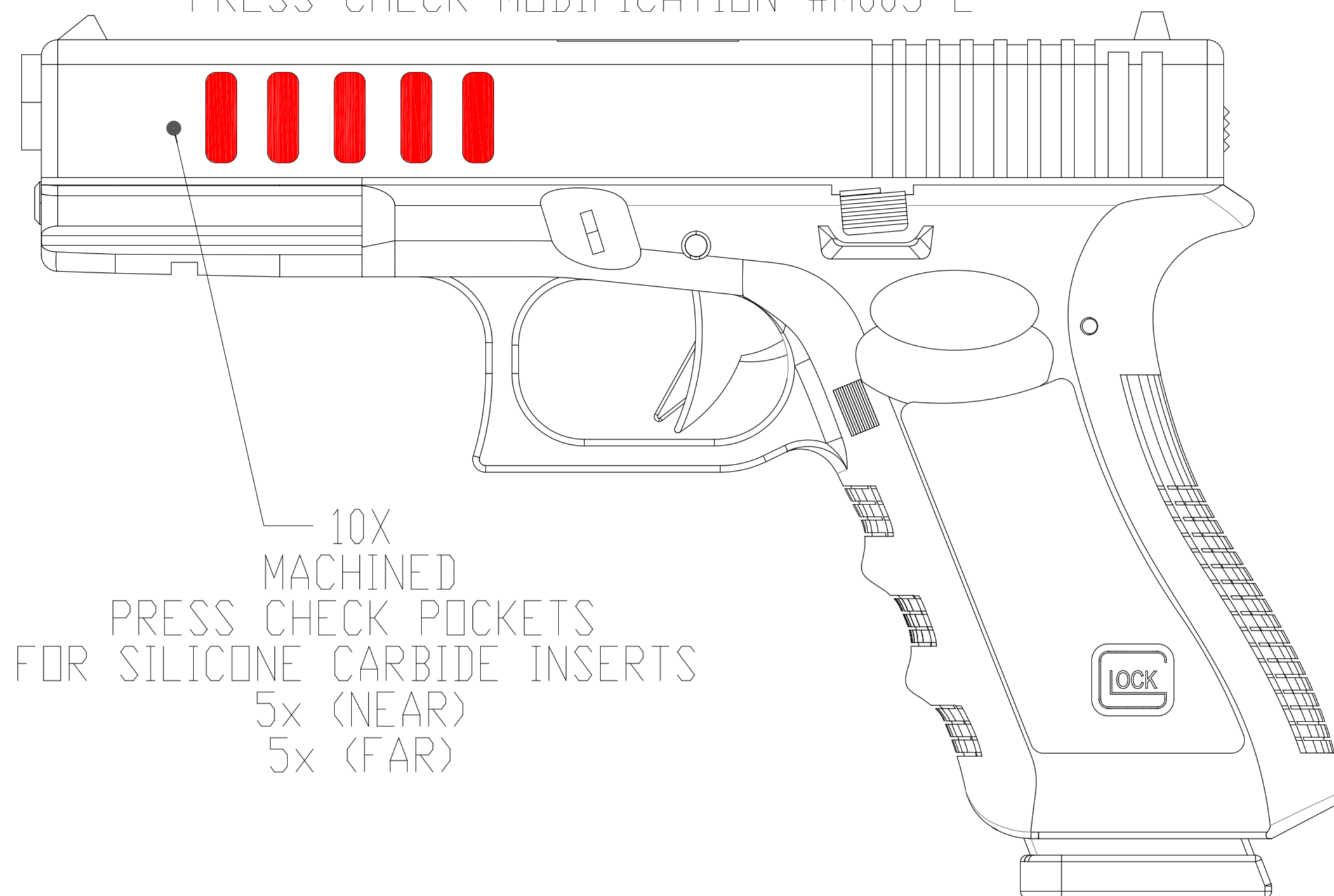
2X
MACHINED
PRESS CHECK POCKETS
FOR SILICONE CARBIDE INSERTS
1(NEAR)
1(FAR)

PRESS CHECK MODIFICATION #M005-B



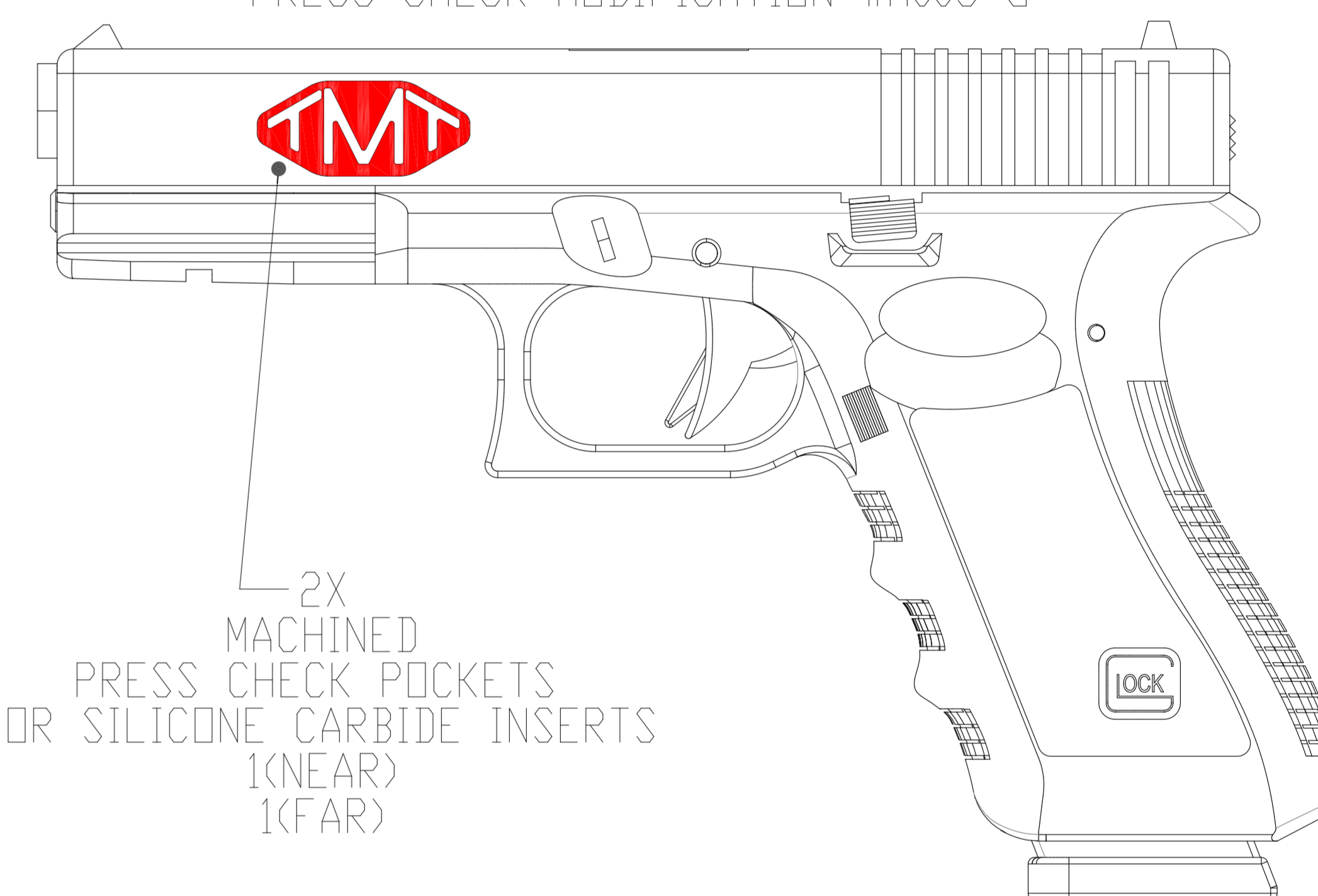
2X
MACHINED
PRESS CHECK POCKETS
FOR SILICONE CARBIDE INSERTS
1(NEAR)
1(FAR)

PRESS CHECK MODIFICATION #M005-E



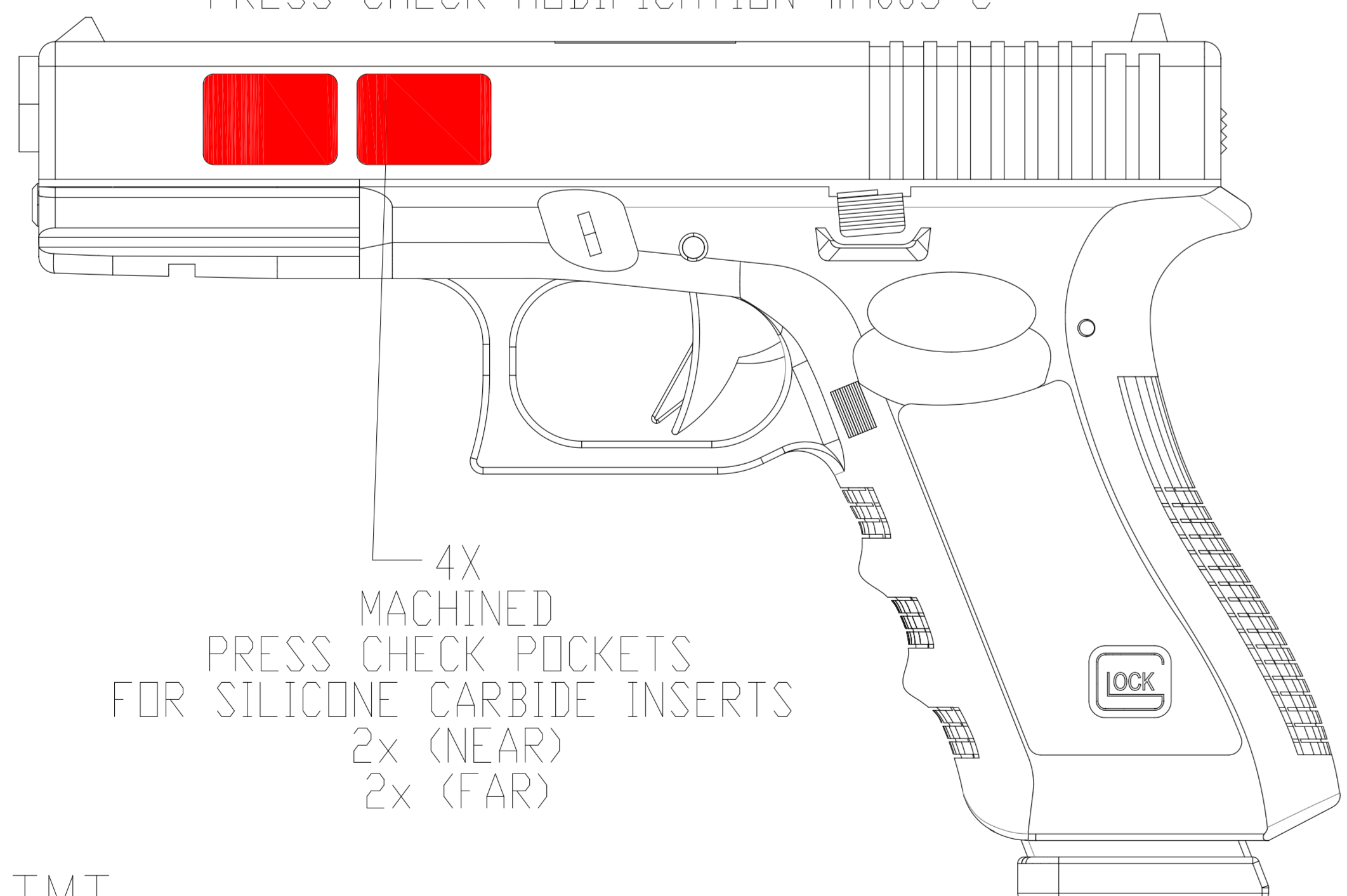
10X
MACHINED
PRESS CHECK POCKETS
FOR SILICONE CARBIDE INSERTS
5x (NEAR)
5x (FAR)

PRESS CHECK MODIFICATION #M005-G



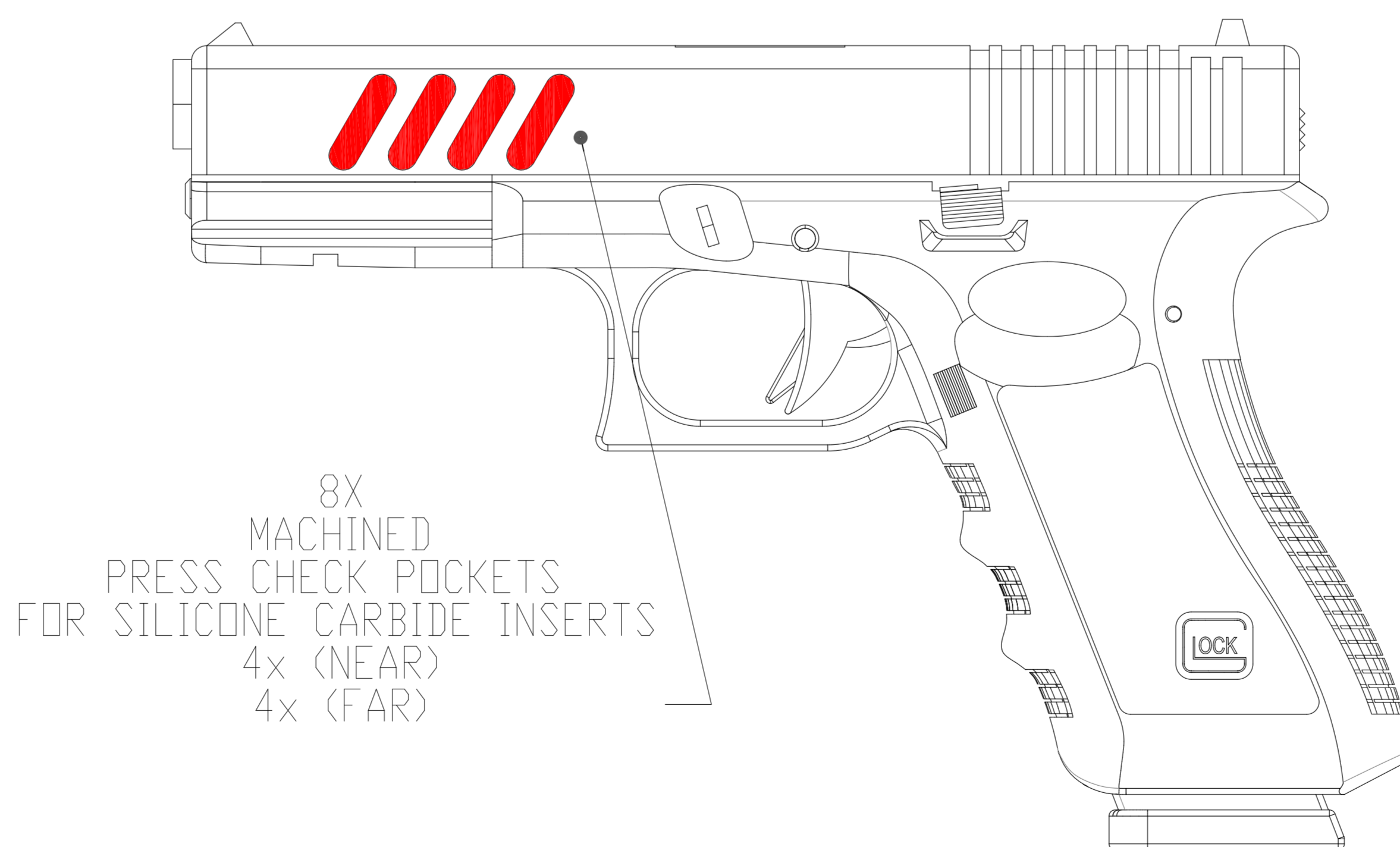
2X
MACHINED
PRESS CHECK POCKETS
FOR SILICONE CARBIDE INSERTS
1(NEAR)
1(FAR)

PRESS CHECK MODIFICATION #M005-C



4X
MACHINED
PRESS CHECK POCKETS
FOR SILICONE CARBIDE INSERTS
2x (NEAR)
2x (FAR)

PRESS CHECK MODIFICATION #M005-F



8X
MACHINED
PRESS CHECK POCKETS
FOR SILICONE CARBIDE INSERTS
4x (NEAR)
4x (FAR)

TMT-
GUN MODIFICATION
QTY:
~

UNCONTROLLED UNLESS IDENTIFIED IN RED INK
DO NOT SCALE DRAWING
UNLESS OTHERWISE SPECIFIED
BREAK ALL DIMENSIONAL EDGES
DIMENSIONS ARE IN INCHES
TOLERANCES:
LINEAR .x ± 0.030
.xx ± 0.010
.xxx ± 0.005
.xxxx ± 0.0005
ANGULAR ± 0.5°
PROJECTION

Geometric Symbols
○ CONCENTRICITY
∕∕ CYLINDRICITY
∕∕ PARALLELISM
R ROUNDT
∠ ANGULARITY
S SYMMETRY
⊥ PERPENDICULARITY
F FLATNESS
⊕ TRUE POSITION
∥ STRAIGHTNESS
○ ROUNDNESS

DESIGNED DATE
DRAWN DATE
CHECKED DATE

212 East Fleming Drive
Morganton, NC 28680-2876
828-432-8007 Fax: 828-432-8030
TOD NUMBER
PART NUMBER
SHEET 2 OF 3

"Committed To The Preservation
of The 2nd Amendment Right"
REV
TMT-

DATE PRINTED: 1/14/2013
DATE RELEASED